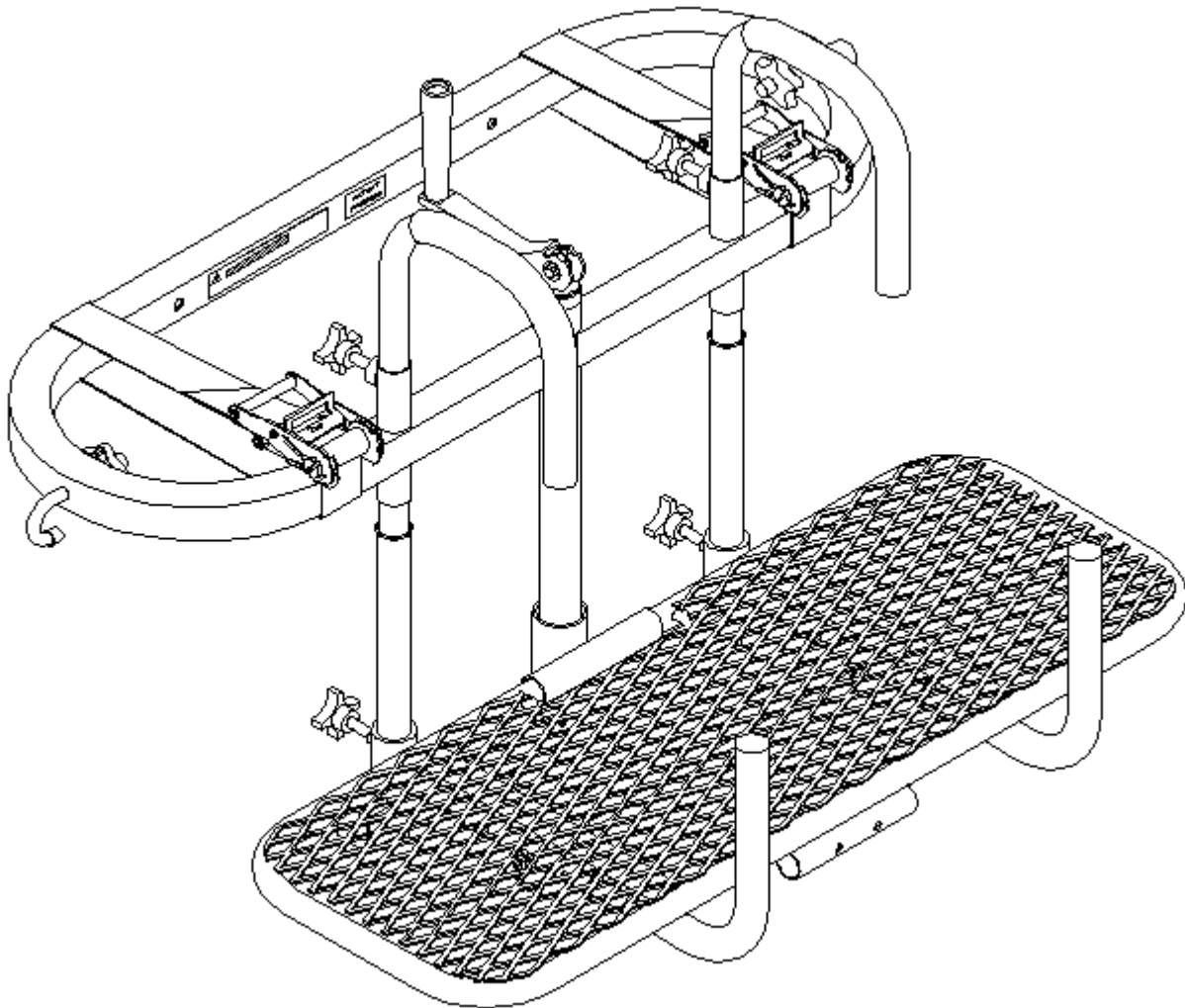


Owners Manual

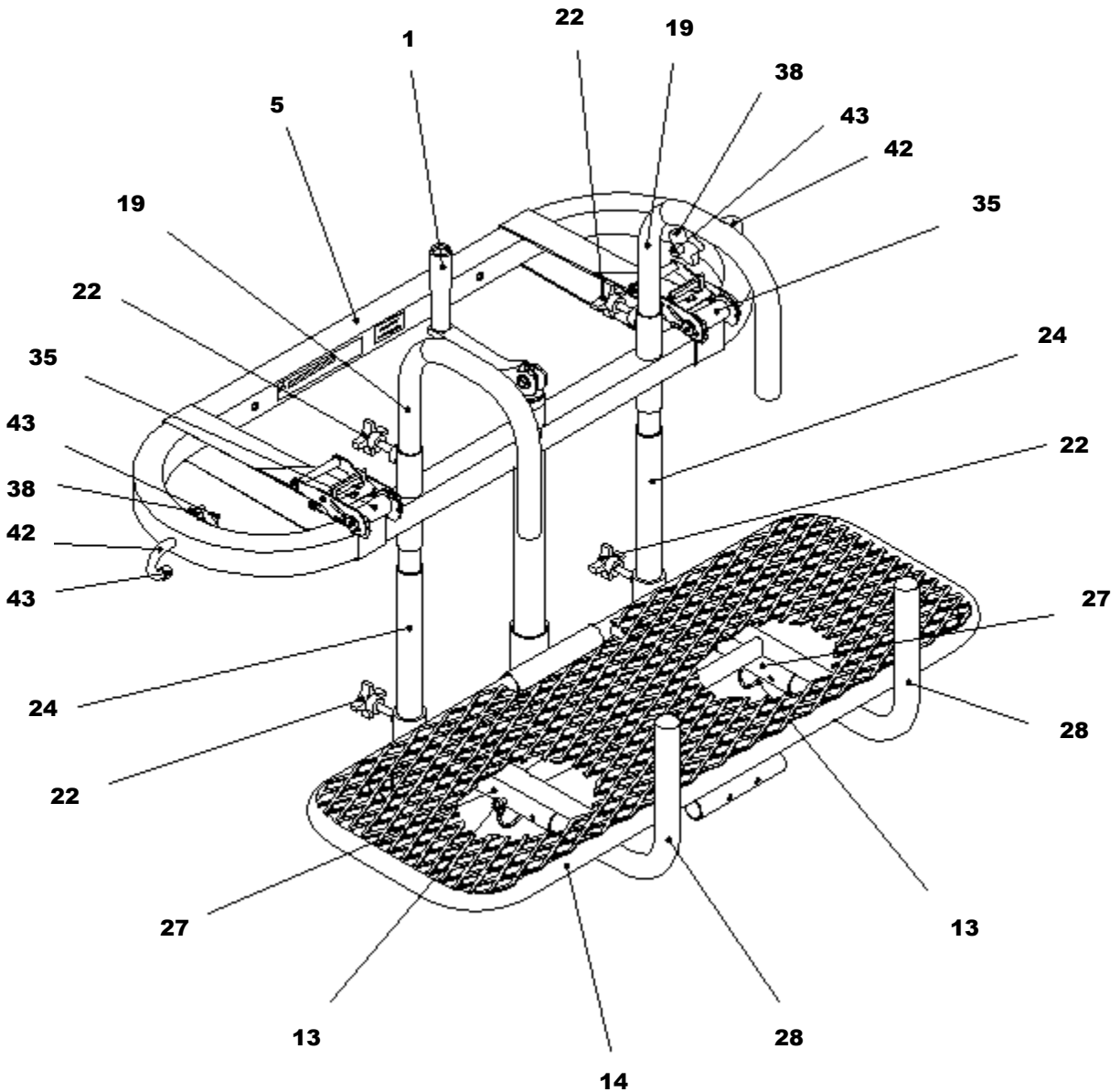
The Sportsman's Carrier

By Country & Nature Innovations, Inc.

Caution: Read all precautions and instructions before using this equipment.
Save this manual for future reference.

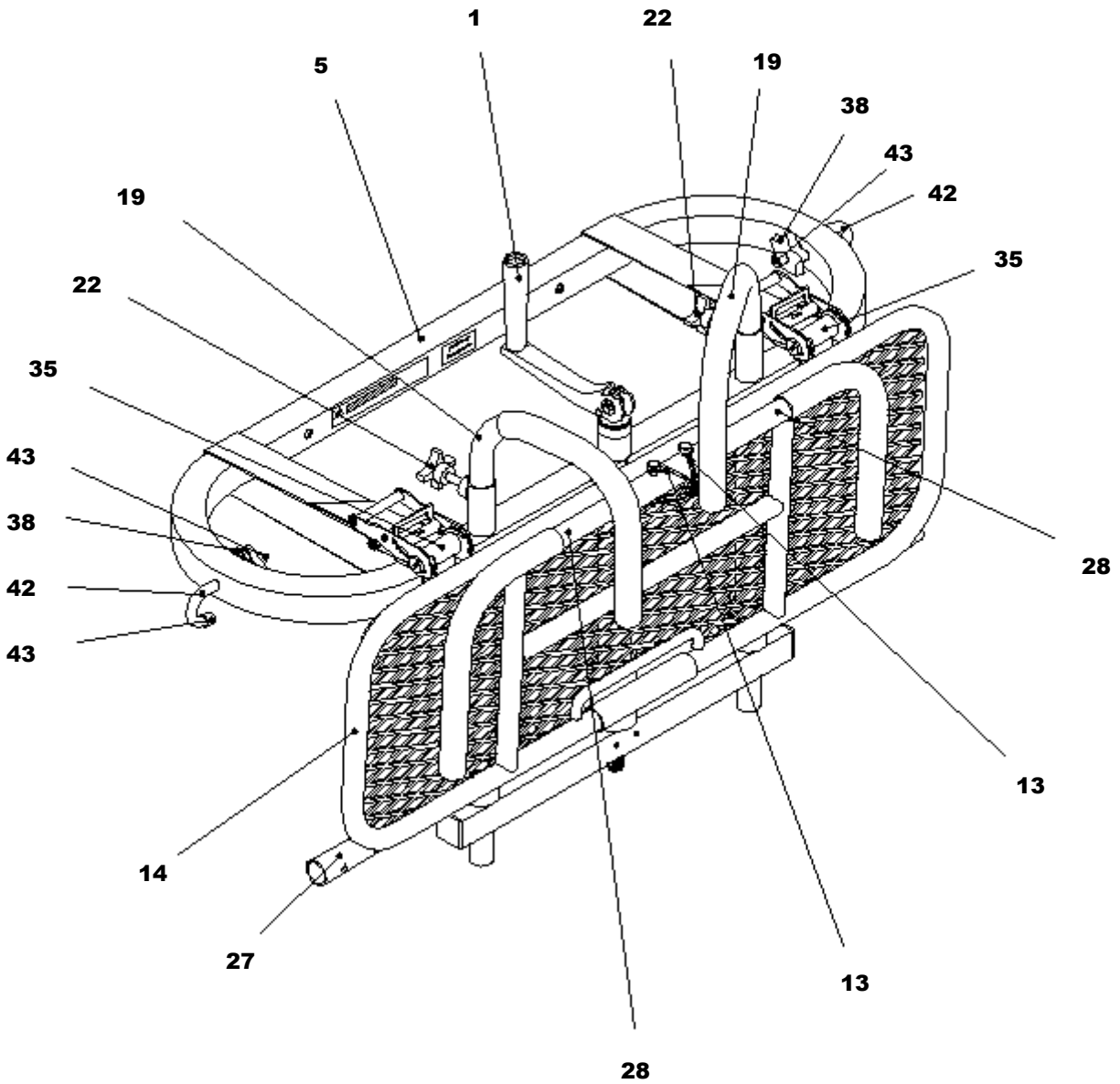


Website: <http://countryandnature.com/>
Phone: 1-330-753-2316



- 1 - Handle**
- 5 - Top Frame**
- 13 - Stabilizer Clip**
- 14 - Platform Frame Tube**
- 19 - Upper Bent Tube**
- 22 - Knob With Threaded Rod**
- 24 - Bottom Outside Long Tube**
- 27 - Platform Holder Tube**
- 28 - Platform Holder Bent Tube**
- 35 - Ratchet Strap**
- 38 - Mounting Knob**
- 42 - Short Threaded Rod**
- 43 - Cap For Threaded Rod**

Unit in Hauling Position



- 1 – Handle**
- 5 – Top Frame**
- 13 – Stabilizer Clip**
- 14 – Platform Frame Tube**
- 19 – Upper Bent Tube**
- 22 – Knob With Threaded Rod**
- 27 – Platform Holder Tube**
- 28 – Platform Holder Bent Tube**
- 35 – Ratchet Strap**
- 38 – Mounting Knob**
- 42 – Short Threaded Rod**
- 43 – Cap For Threaded Rod**

Unit in Storage and Travel Position



WARNING

Failure to follow these warnings can result in severe injury or death.

Don'ts:

- 1. Do not carry passengers on rack.**
- 2. Do not exceed your ATV cargo weight rating. (See your ATV owner's manual for weight capacity.)**
- 3. Do not exceed 200 lbs. maximum weight rating of unit.**
- 4. Do not go up steep grades with rack loaded on front or rear of ATV as this will affect ATV balance and steering.**
- 5. Do not cross over logs or drive thru deep ditches, creeks etc. with platform down as this may bend unit.**

Do's:

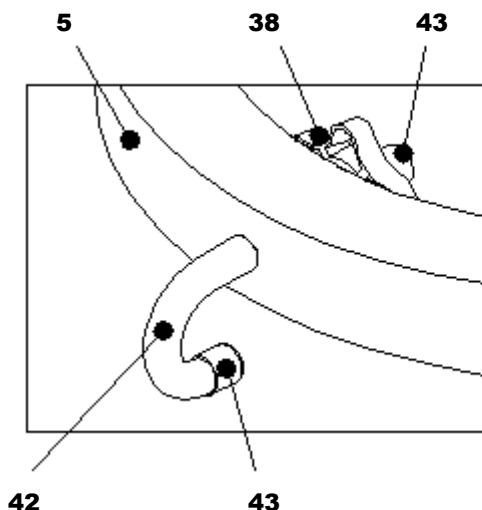
- 1. Fasten unit securely to ATV with ratchet straps (35), short threaded rods (42) and mounting knobs (38). See diagram on attaching to ATV section.**
- 2. Loosen knob with threaded stud (22) all the way off of upper outside bent tube (19) otherwise you will score inside of tube. Use 2 full turns. See diagram.**
- 3. Loosen knob with threaded stud (22) all the way off of bottom outside long tube (24) otherwise you will score inside of tube. Use 2 full turns. See diagram.**
- 4. Fold up unit for travel. Fold up unit when not in use. This will prevent bending and breakage of the unit.**

Attaching the Sportsman's Carrier to your ATV

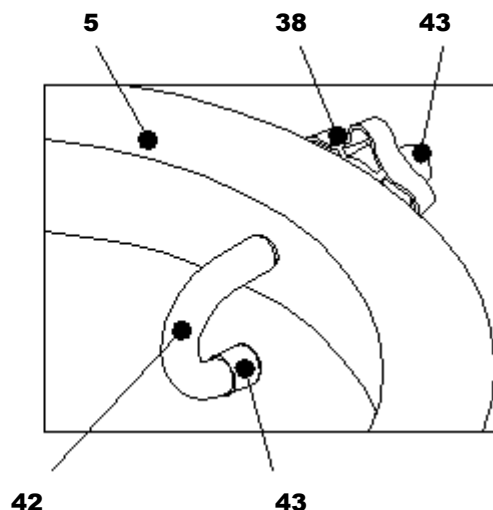
Mount unit on front or rear of ATV.

Step 1) Assemble short threaded rod (42) and mounting knob (38) on one end of top frame (5). Repeat for other end. Tighten onto ATV rack.

Note: Some ATV frames may need the short threaded rod (42) on the inside of the top frame (5). Some may need the short threaded rod (42) on the outside of the top frame (5).




Rod Outside Frame



Rod Inside Frame

Step 2) Feed one ratchet strap (35) over top of top frame (5) then under ATV rack. Feed thru ratchet. Tighten. Repeat for second strap. Unit is now ready for usage.

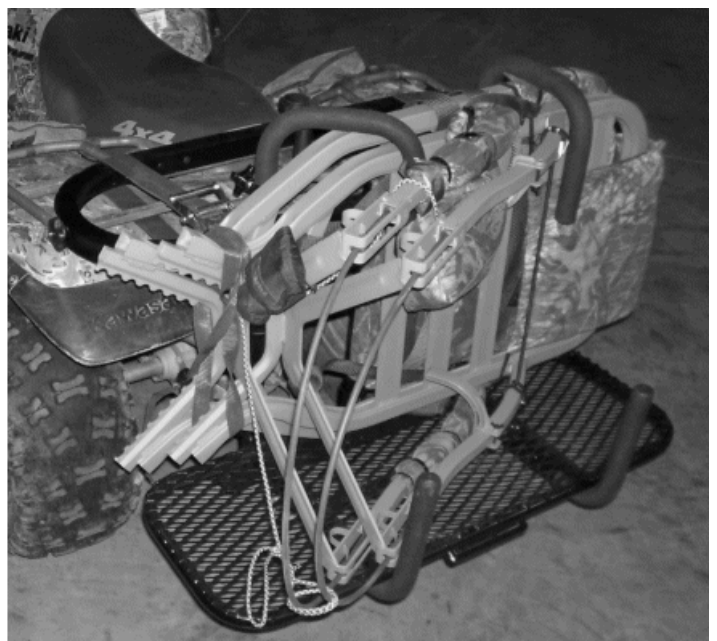
Note: Threaded rods (42) that extend past the mounting knobs (38) may be cut off and capped with cap for threaded rods (43).

 WARNING Unit may be attached to front of ATV for steeper grades. Use extreme caution on any steep grade with or without a load on the unit as this can affect ATV balance and steering. The resulting loss of control can cause severe injury or death.



Operating Instructions

- 1. Attach unit securely to ATV. (See mounting instructions.)**
- 2. Loosen lower knob with threaded stud (22). (Loosen at least two full turns.) Rotate platform holder tube (27) 90° towards you. Tighten up knob with threaded stud (22). Remove stabilizer clip (13). Pull out platform holder bent tube (28). Insert platform holder bent tube (28) into platform holder tube (27). Put stabilizer clip (13) into desired hole of platform holder tube (27). Repeat for other side.**
- 3. Hold platform tube frame (14) with one hand. Loosen one upper knob with threaded stud (22) at least 2 full turns. Loosen second upper knob with threaded stud (22) at least 2 full turns. Lift up both upper outside bent tubes (19) and lower platform tube frame (14) onto platform holder bent tubes (28).**
- 4. Using handle (1) crank unit down to load. Load unit then crank back up for travel.
Note: Never move ATV with unit in lowered position.**
- 5. For tree stand carrying – place tree stand on platform. Loosen upper knob with threaded stud (22) at least 2 full turns and remove upper outside bent tube (19). Place over tree stand to hold in place. Replace upper outside bent tube into upper outside tube (20). Repeat for other side. You may need to raise or lower platform to hold stand in place.**
- 6. For cooler hauling – use handle (1) to crank unit down. Put cooler onto platform. Raise platform until tight against upper outside bent tubes (19).**



Parts List

NUMBER	QUANTITY	PART NUMBER	DESCRIPTION
1	1	ATVD-1001	HANDLE
2	3	ATVD-1002	LARGE WASHER
3	1	ATVD-1003	CAP FOR UPPER CENTER TUBE
4	1	ATVD-1004	THICK HARDENED WASHER
5	1	ATVD-1005	TOP FRAME
6	1	ATVD-1006	UPPER CENTER TUBE
7	1	ATVD-1007	THRUST BEARING
8	1	ATVD-1008	ACME THREADED ROD
9	1	ATVD-1009	ACME THREADED ROUND
10	1	ATVD-1010	MIDDLE CENTER TUBE
11	1	ATVD-1011	BOTTOM CENTER TUBE
12	1	ATVD-1012	PLATFORM HOLDER TUBE
13	2	ATVD-1013	STABILIZER CLIP
14	1	ATVD-1014	PLATFORM FRAME TUBE
15	1	ATVD-1015	SHORT SPRING PIN
16	2	ATVD-1016	PLATFORM BRACE TUBE
17	1	ATVD-1017	PLATFORM INNER BRACE TUBE
18	1	ATVD-1018	BENT TUBE HOLDER TUBE
19	2	ATVD-1019	UPPER BENT TUBE
20	2	ATVD-1020	UPPER OUTSIDE TUBE
21	2	ATVD-1021	THREADED ROUND
22	4	ATVD-1022	KNOB WITH THREADED STUD
23	2	ATVD-1023	MIDDLE OUTSIDE TUBE
24	2	ATVD-1024	BOTTOM OUTSIDE LONG TUBE
25	1	ATVD-1025	BOTTOM SQUARE TUBE
26	2	ATVD-1026	BOTTOM OUTSIDE SHORT TUBE
27	2	ATVD-1027	PLATFORM HOLDER TUBE
28	2	ATVD-1028	PLATFORM HOLDER BENT TUBE
29	1	ATVD-1029	HANDLE HEX NUT
30	2	ATVD-1030	SQUARE PLUG
31	1	ATVD-1031	THIN HARDENED WASHER
32	2	ATVD-1032	LONG SPRING PIN
33	1	ATVD-1033	ALUMINUM BLOCK
34	1	ATVD-1034	MESH
35	2	ATVD-1035	RATCHET STRAP
36	4	ATVD-1036	FOAM SLEEVE
37	1	ATVD-1037	SMALL PLATFORM BENT TUBE
38	2	ATVD-1038	KNOB WITH THREAD THRU
39	2	ATVD-1039	HEAT-SHRINK TUBING
40	1	ATVD-1040	HANDLE BOLT
41	2	ATVD-1041	HANDLE WASHER
42	2	ATVD-1042	SHORT THREADED ROD
43	4	ATVD-1043	CAP FOR THREADED ROD
44	1	ATVD-1044	PATENT PENDING STICKER
45	1	ATVD-1045	WARNING LABEL STICKER
46	2	ATVD-1046	CARRIAGE BOLT
47	2	ATVD-1047	LOCKING NUT
48	2	ATVD-1048	STEEL NUT
49	1	ATVD-1049	OWNERS MANUAL

1-YEAR LIMITED SPORTSMAN'S CARRIER WARRANTY

Country & Nature Innovations, Inc. warrants to the original purchaser that consumer products manufactured by Country & Nature Innovations, Inc. will be free from defect in material and workmanship for a period of one (1) year after the date of purchase, and will repair any defect in material or workmanship, and repair or replace any defective part, subject to the conditions, limitations and exclusions set forth herein.

The one-year duration of this warranty applies only if the product is put to ordinary, reasonable and usual personal, family or household use. If the product is put to any business, commercial or industrial use, then the duration of the warranty is ninety (90) days after the date of purchase. If any product is rented or leased, then the duration of this warranty is ninety (90) days after the date of purchase.

This warranty does not cover parts damaged due to normal wear, misapplication, misuse, operation other than recommended loads. Parts damaged or worn because of failure to follow recommended operating procedures voids the warranty.

This warranty is subject to the following limitations:

- The purchaser must pay transportation charge for transporting or shipping the product to and from the place of warranty service.
- Warranty service must be performed by Country & Nature Innovations, Inc. at: 374 5th Street N.W., Barberton, Ohio 44203.

This warranty is valid only if the following conditions are met:

- The purchaser must perform maintenance and minor adjustments explained in the Owner's Manual.
- The purchaser must promptly notify Country & Nature Innovations, Inc. of the need for warranty service.
- Returning the product registration card to Country & Nature Innovations, Inc. will enable the company to contact the registrant with repair or replacement part information. The failure to return the product registration card will not preclude the original purchaser from securing warranty service provided that such original purchaser has their purchase receipt.

The following items are not covered by this warranty:

- Parts that are not genuine Country & Nature Innovations, Inc. service parts are not covered by this warranty.
- Any defect which is the result of any misuse, alteration, improper assembly, improper adjustment, neglect or accident is not covered by this warranty.

DISCLAIMER OF FURTHER WARRANTY

Country and Nature Innovations, Inc. makes no warranty, express or implied, other than what is expressly made in this warranty. If the law of your state provides that an implied warranty of merchantability, or an implied warranty of fitness for a particular purpose, or any other implied warranty, applies to Country & Nature Innovations, Inc., then any such implied warranty is limited to the duration of this warranty. Some states do not allow limitations on how long an implied warranty lasts, so the above limitations may not apply to you.

LIMITATION OF REMEDY AND DAMAGES

Country & Nature Innovations, Inc.'s liability under this warranty and under any implied warranty that may exist, is limited to repair of any defect in workmanship, and repair or replacement of any defective part. Country & Nature Innovations, Inc. shall not be liable for incidental, special or consequential damages (including lost profits). Some states do not allow the exclusion of incidental or consequential damages, so the above limitation or exclusion may not apply to you.

This warranty gives you specific legal rights and you may also have other rights which vary from state to state.

For service or warranty consideration contact:

Phone: 1 (330) 753-2316
Fax: 1 (300) 753-2336
e-mail: countryandnature@hotmail.com
Country & Nature Innovations, Inc.
374 5th Street N.W.
Barberton, Ohio 44203
Mon.-Fri.: 8 a.m. to 4 p.m.